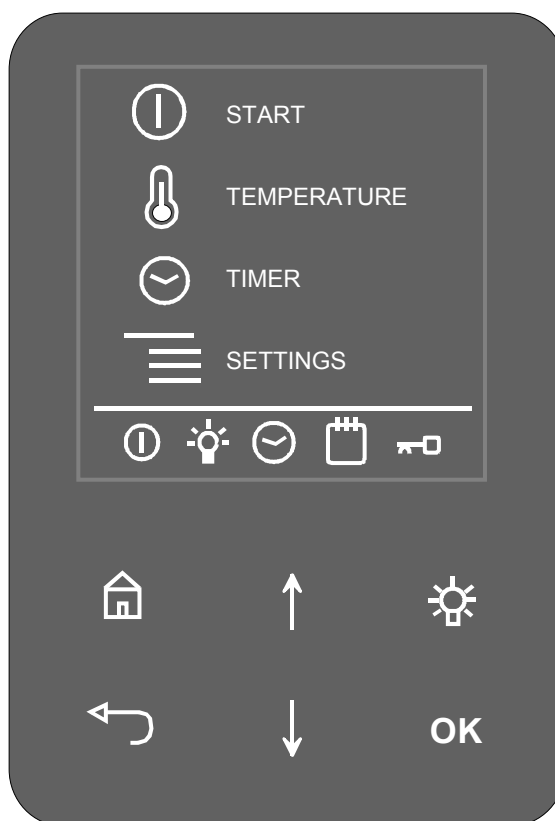


User and installation manual **Helo T1**

CONTROL CENTRE

1601 – 27 (RA – 27) T1



Contents

1.	General	2
1.1	Checks to be carried out before taking a sauna bath	2
1.2	Control panel overview	2
1.3	Installing the control panel	3
2.	Control panel	4
2.1	Switch diagram	6
2.2	Sauna heater installation principle	7
2.3	Remote start On/Off push button	8
3.	ROHS	9

1. General

1.1 Checks to be carried out before taking a sauna bath

1. The sauna room must be suitable for taking a sauna bath.
2. The door and the window must be closed.
3. The sauna heater must be topped with stones that comply with the manufacturer's recommendations, the heating elements must be covered with stones, and the stones must be piled sparsely.
4. A pleasant, smooth sauna bath temperature is about 70 °C.

For additional information about enjoying a sauna bath, please visit our website at www.helo.fi

NOTE! Structural clay tiles are not allowed.

1.2 Control panel overview

NOTE! The control panel and connected sauna heater are designed for domestic use.

The control panel is meant to be installed outside the actual sauna room. Enclosure class IP X4.

The main switch for the sauna heater is located at the foot of the sauna heater or in the contactor case. (For more specific instructions, see the user manual for the contactor case.)

Users should not sit in a sauna for more than six hours.

Temperature adjustment 20–110 °C.

Pre-set time 0–24 hours.

The control panel fits the following sauna heater models:

- 1118 - ... - 040518 (LT- ... - DET) (Rocher DET)
- 1118 - ... - 040518 (LT- ... - DET) (Helo Ring DET)
- 1118 - ... - 040518 (LT- ... - DET) (Helo Cava/Cava Roxx DET)

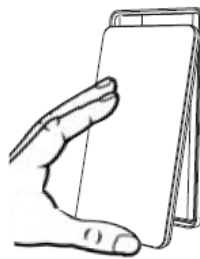
1.3 Installing the control panel

Use and installation of the Helo-Touch control panel

Control panel RA27 (T1)



Open the screw at the head of the control panel.

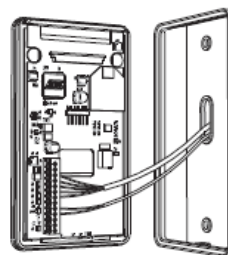


Remove the control panel frame and lid.



Install the bottom piece for the control panel.

NOTE! If the control panel is installed in a humid place, use the provided seal.

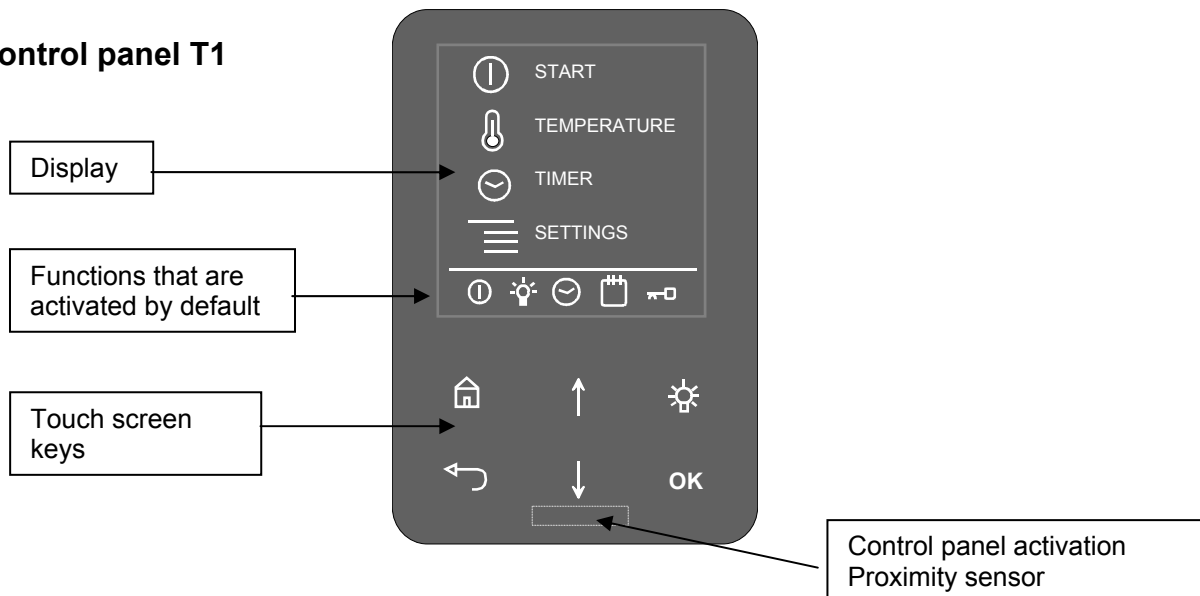


Install and connect the cable.
For connecting instructions, see page 7.









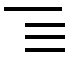
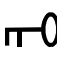


Control panel dimensions:

- Height 140 mm
- Width 80 mm
- Depth 22 mm

2. Control panel T1



Button functions:

-  Takes you from a submenu to the front page.
-  Step back. Shows the temperature and the time when pressed on the front page.
-  Lighting control on/off.
- OK** OK button accepts the modified setting or step forward e.g. for time settings.
-  Arrow button, moves upwards in the menus.
-  Arrow button, moves downwards in the menus.
-  Start and stop. Select with the arrow buttons and press OK.
-  Changing the temperature setting.
-  Timer. Pre-set time setting. You can set the pre-time setting between 0 and 24 hours.
-  Settings. Move to the next menu.
-  Automatic locking, time setting adjustment 15–60 s. Settings menu, on/off. The lock is deactivated from the settings menu or by pressing the symbols simultaneously for 2 seconds.  

First start-up or reset.

Select region

The following submenus are found under the menu.
All selections must be confirmed by pressing OK.

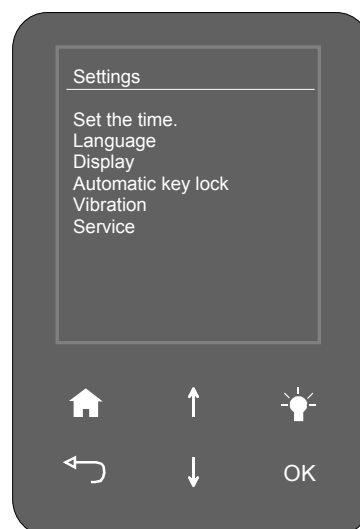
- Select the region where the controller is used.
- Europe, time and temperature settings according to European regulations.
- USA, settings according to American regulations.
- Other regions.
- Select the control panel language from the language menu.
- Select control panel usage, sauna or steam bath.
Select sauna and press OK.
Set the bathing time between 0 and 6 hours by pressing the arrow key and confirm by pressing OK.
Enter the time into the control panel and confirm by pressing OK.



Settings

The following submenus are found under the menu.
All selections must be confirmed by pressing OK.

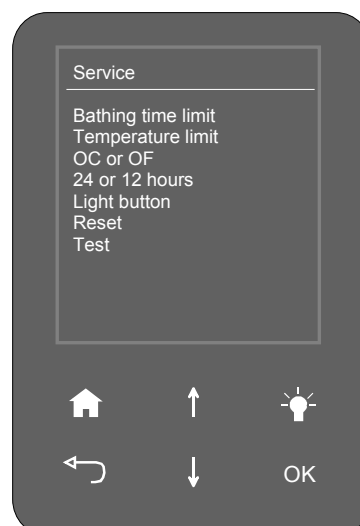
- **Set time.** Time setting.
- **Language.** You can select the language from a menu.
- **Display.** Setting the display to sleep, time setting 3–60 s.
- **Automatic key lock.** Locks the buttons after 15–60 seconds, on/off.
- **Vibration.** Vibration function of the controller on/off.
- **Service.** Enter the PIN code to access the service menu.
The service PIN code is 124.



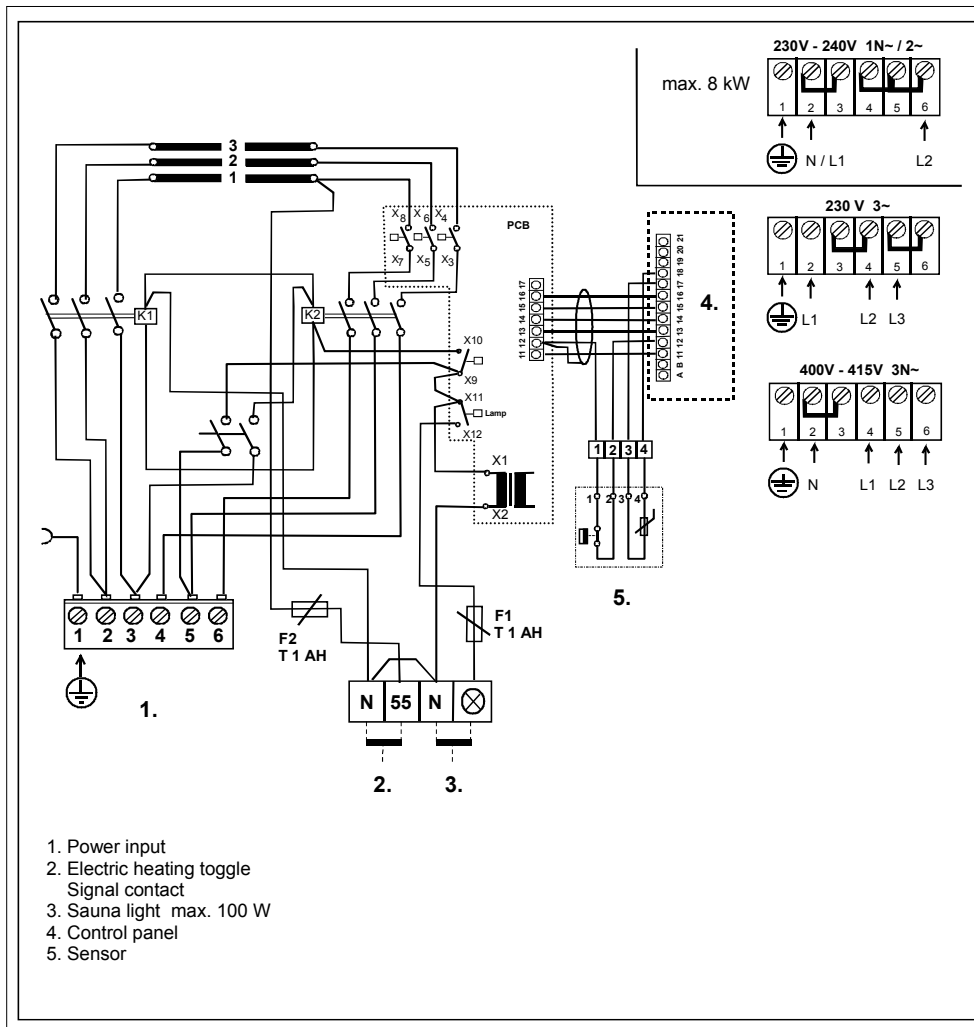
Service

The following submenus are found under the menu.
All selections must be confirmed by pressing OK.

- **Bathing time limit.** Time setting 0–6 hours.
- **Temperature limit.** Temperature setting 20–110°C.
- **°C or °F.** Alternative temperature display.
- **24 or 12 hours.** Alternative time display.
- **Light button.** Lighting controls, continuous or momentary.
Continuous, the lights are always on when the sauna heater is on.
Momentary, lights are only on when the light button is pressed.
- **Reset** PIN code 421.
- **Test.** In case of service or error, different relay outputs can be tested and verified.
PIN code 666.

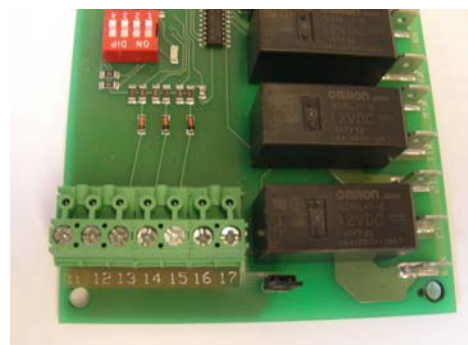
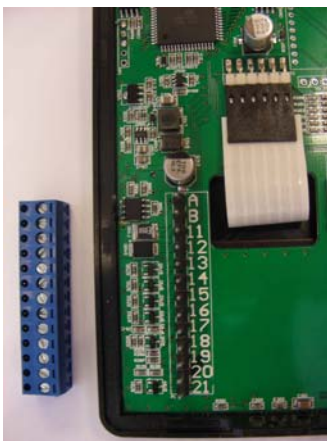


2.1 Switch diagram



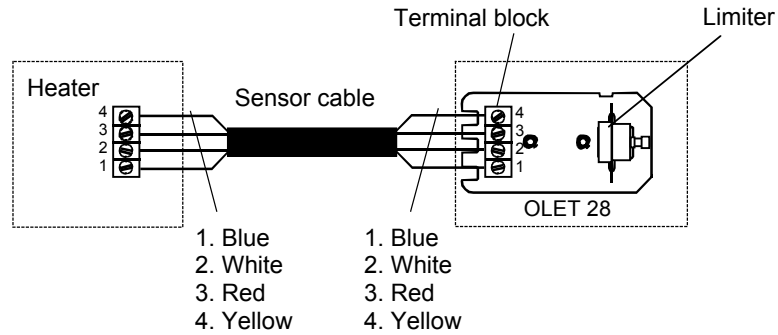
Connecting the control cables

NOTE! The cable between the sauna heater and the control panel must be screened, e.g. LiYCY 10 x 0.25 mm². Cable length max. 50 m.

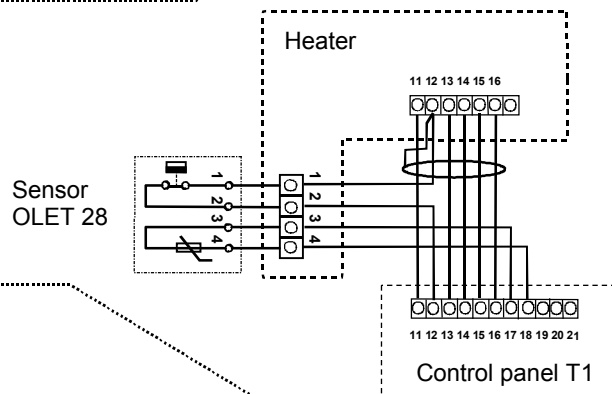


Control panel connecting terminal markings.
circuit board.

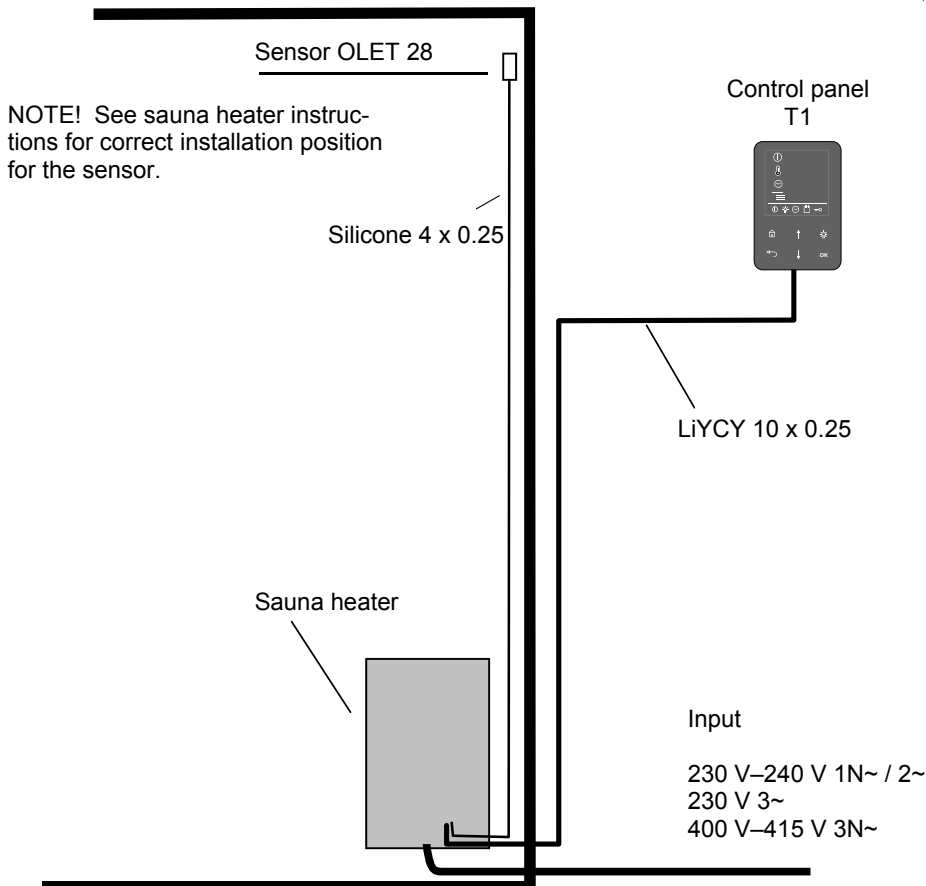
Markings on the connecting terminal of the sauna heater



- 11 White
- 12 Black
- 13 Green
- 14 Yellow
- 15 Grey
- 16 Pink
- 17 Blue
- 18 Red



Principle diagram



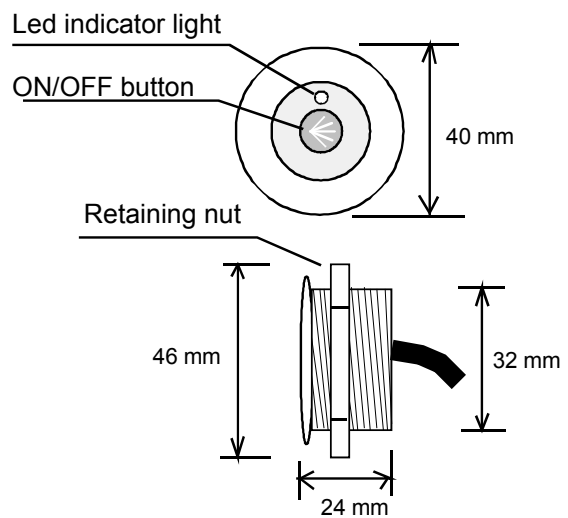
2.2 Sauna heater installation diagram

2.3 Remote control ON/OFF push button (accessory, 0043211)

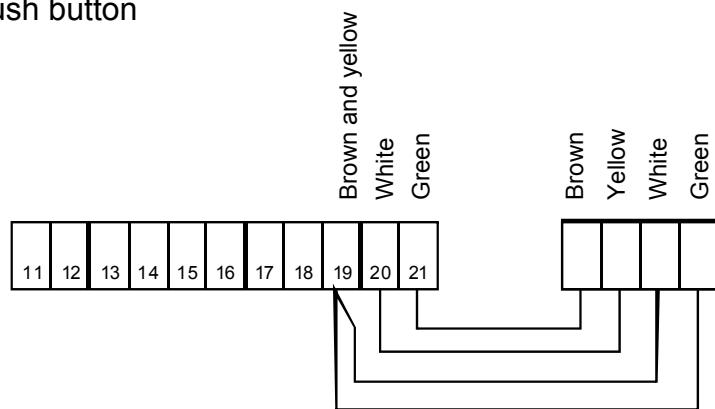
Button function

The sauna heater can be started by using a remote control On/Off button. The LED light on the push button lights up to show that the sauna heater has been activated. The sauna heater runs according to the maximum time and temperature set in the control panel T1. The sauna heater can also be turned off by pressing the push button.

The push button is sealed with paste so that it can be installed in a sauna room. Max. installation height 1 m, min. distance from the sauna heater 0.5 m. The push button can be installed through a wall or by making a suitable hole where the button can be embedded. A surface mounting box can also be used; it does not need to be sealed as the push button itself is moisture proof.



Connection of the push button



Control panel T1 Multiway terminal block Push button

3. ROHS

Ympäristönsuojeluun liittyviä ohjeita

Tämän tuotteen käyttöiän päätyttyä sitä ei saa hävittää normaalin talousjätteen mukana, vaan se on toimitettava sähkö- ja elektroniikkalaitteiden kierrätykseen tarkoitettuun keräyspisteeseen.

Symboli tuotteessa, käyttöohjeessa tai pakkauksessa tarkoittaa sitä.



Valmistusaineet ovat kierrätettävissä merkintänsä mukaan. Käytettyjen laitteiden uudelleenkäytöllä, materiaalien hyödyntämisellä tai muulla uudelleenkäytöllä teet arvokkaan teon ympäristömme hyväksi. Tuote palautetaan ilman kiuaskiviä ja verhoukiviä kierrätyskeskukseen.

Tietoa kierrätyspaikoista saat kuntasi palvelupisteestä.

Anvisningar för miljöskydd

Denna produkt får inte kastas med vanliga hushållssopor när den inte längre används. Istället ska den levereras till en återvinningsplats för elektriska och elektroniska apparater.

Symbolen på produkten, handboken eller förpackningen refererar till detta.



De olika materialen kan återvinnas enligt märkningen på dem. Genom att återanvända, nyttja materialen eller på annat sätt återanvända utsliten utrustning, bidrar du till att skydda vår miljö. Produkten returneras till återvinningscentralen utan bastusten och eventuell täljstensmantel.

Vänligen kontakta de kommunala myndigheterna för att ta reda på var du hittar närmaste återvinningsplats.

Instructions for environmental protection

This product must not be disposed with normal household waste at the end of its life cycle. Instead, it should be delivered to a collecting place for the recycling of electrical and electronic devices.

The symbol on the product, the instruction manual or the package refers to this.



The materials can be recycled according to the markings on them. By reusing, utilising the materials or by otherwise reusing old equipment, you make an important contribution for the protection of our environment. Please note that the product is returned to the recycling centre without any sauna rocks and soapstone cover.

Please contact the municipal administration with enquiries concerning the recycling place.

Hinweise zum Umweltschutz

Dieses Produkt darf am Ende seiner Lebensdauer nicht über den normalen Haushaltsabfall entsorgt werden, sondern muss an einem Sammelpunkt für das Recycling von elektrischen und elektronischen Geräten abgegeben werden.

Das Symbol auf dem produkt, der Gebrauchsanleitung oder der Verpackung weist darauf hin.



Die Werkstoffe sind gemäß ihrer Kennzeichnung wiederverwertbar, Mit der Wiederverwendung, der stofflichen Verwertung oder anderen Formen der Verwertung von Altgeräten leisten Sie einen wichtigen Beitrag zum Schutze unserer Umwelt. Dieses Produkt soll ohne Steine und Specksteinmantel an dem Sammelpunkt für Recycling zurückgebracht werden.

Bitte erfragen Sie bei der Gemeindeverwaltung die zuständige Entsorgungsstelle.